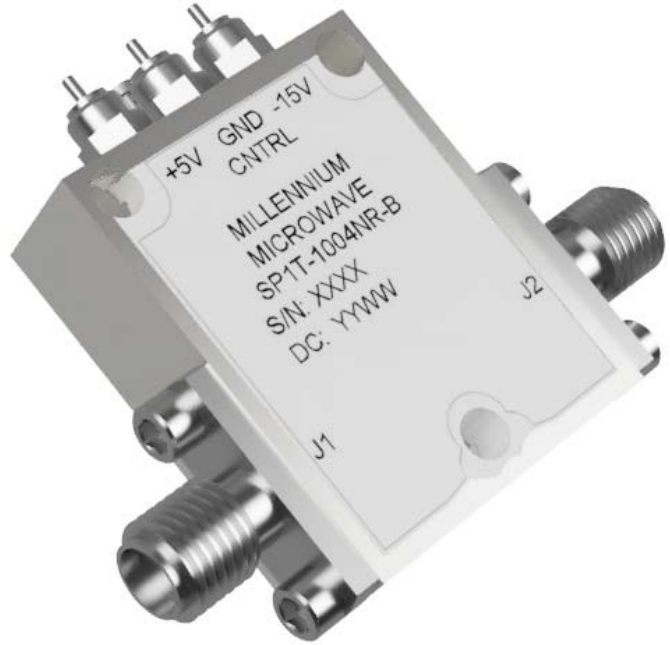


SP1T-1004NR-B

➤ Features:

- Single Pole 1 Throw
- Non-Reflective
- Switching Speed <30nS
- 2 – 18 GHz



➤ Specifications:

Serial Number	Frequency 2 - 18 GHz	Insertion Loss 3.5 dB Max	J1 Input VSWR On 9.5 dBr Min	J2 Output VSWR On 9.5 dBr Min	Isolation 2 - 18 GHz 75 dB Min	Switching Speed 30 nS Max 50% TTL-90% RF	Switching Speed 30 nS Max 50% TTL-10% RF

TTL 1-Path on	
TTL 0-Path off	
+5.0 VDC 100mA MAX	
-15.0 VDC 50mA MAX	

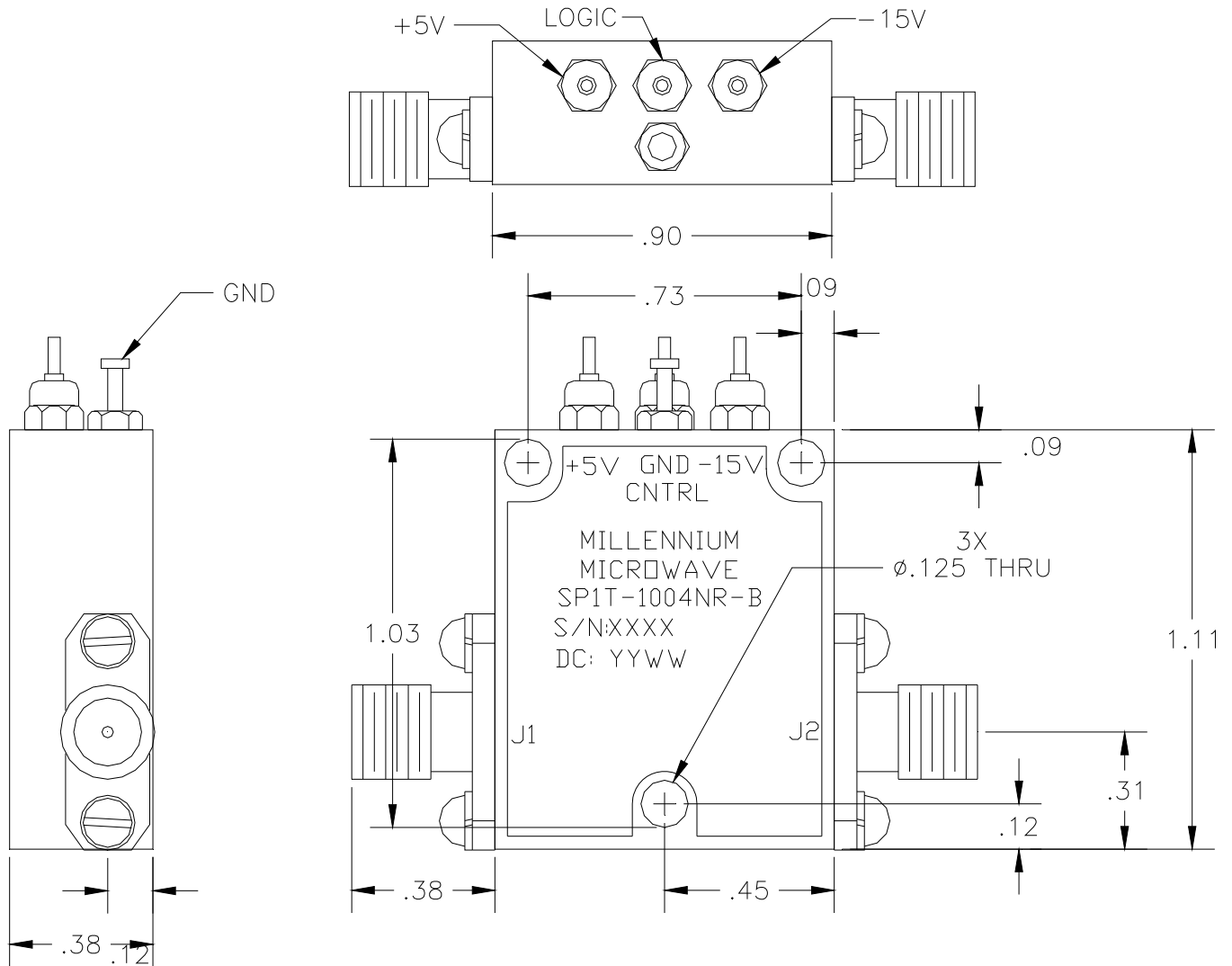


**MILLENNIUM
MICROWAVE
CORPORATION**

MILLENNIUM MICROWAVE CORPORATION
 30733 PARK DRIVE, PRINCESS ANNE, MD 21853
 PHONE: 410-742-8858
 FAX: 410-548-7860
www.microwave2000.com

SP1T-1004NR-B

➤ Outline Drawing:



**MILLENNIUM
MICROWAVE
CORPORATION**

MILLENNIUM MICROWAVE CORPORATION
30733 PARK DRIVE, PRINCESS ANNE, MD 21853
PHONE: 410-742-8858
FAX: 410-548-7860
www.microwave2000.com