

➤ **Features:**

- Diplexer
- Low Pass Band Insertion Loss
- 65 dB Isolation
- 250 – 475 MHz



➤ **Specifications:**

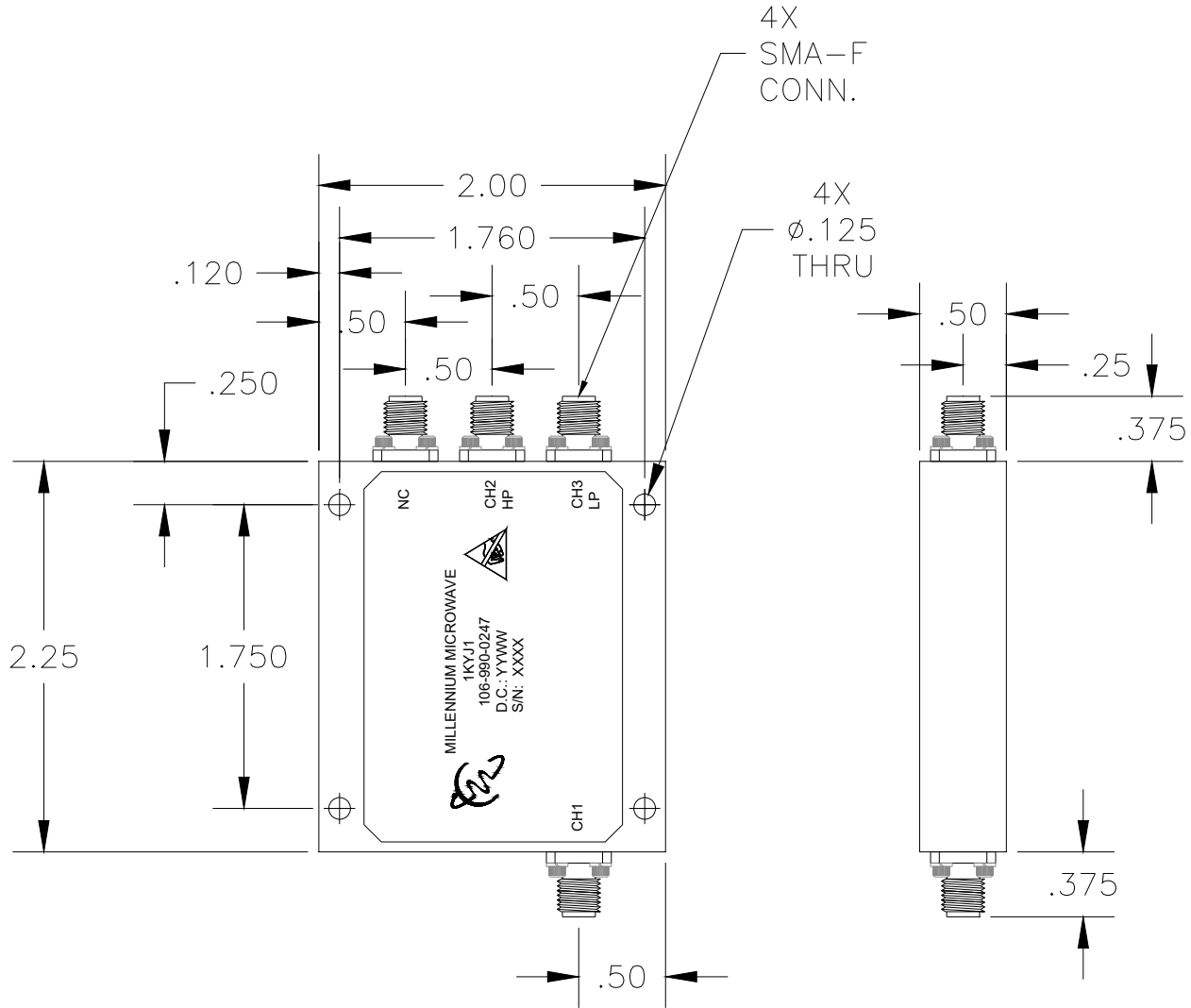
PASSBAND FREQUENCY	CH1-CH2		CH1-CH3	
	250 to 275 MHz		425 to 475 MHz	
MAX PASSBAND INSERTION LOSS	1.0 dB Max		1.0 dB Max.	
	250 TO 275 MHz		425 TO 475 MHz	
	≤.62		≤.56	
PASSBAND VSWR	1.5:1 Max (-14.0dB)		1.5:1 Max (-14.0dB)	
IN	≤ 1.37:1		≤1.12:1	
PASSBAND VSWR	1.5:1 Max (-14.0dB)		1.5:1 Max (-14.0dB)	
OUT	≤1.37:1		≤1.10:1	
LOW SIDE			250 to 275 MHz	
REJECTION *1			65 dB	≥ 68.3
HIGH SIDE	425 to 475 MHz			
REJECTION *1	65 dB	≥ 71.5		



**MILLENNIUM
MICROWAVE
CORPORATION**

MILLENNIUM MICROWAVE CORPORATION
 30733 PARK DRIVE, PRINCESS ANNE, MD 21853
 PHONE: 410-742-8858
 FAX: 410-548-7860
www.microwave2000.com

➤ Outline Drawing:



**MILLENNIUM
MICROWAVE
CORPORATION**

MILLENNIUM MICROWAVE CORPORATION
30733 PARK DRIVE, PRINCESS ANNE, MD 21853
PHONE: 410-742-8858
FAX: 410-548-7860
www.microwave2000.com