

➤ **Features:**

- Custom Package
- Duplexer
- 30 – 420 MHz Low Band
- 960 – 1220 MHz Upper Band



➤ **Specifications:**

<b>LOW PASSBAND 30 to 420 MHz</b>	<b>S/N</b>	<b>S/N</b>	<b>S/N</b>	<b>S/N</b>
<b>LOW PASSBAND ATTENUATION 2.5 dB min to 3.5 dB max.</b>				
<b>LOW PASSBAND VSWR 1.2:1 MAX (-20.8dB) (30 to 420 MHz)</b>				
<b>UPPER PASSBAND 960 to 1220 MHz</b>				
<b>UPPER PASSBAND ATTENUATION .7 dB max</b>				
<b>UPPER PASSBAND VSWR 1.2:1 MAX (-20.8 dB) (960 to 1220 MHz)</b>				

**POWER 30 watts CW in the Lower and Upper Passbands**

**\*1 OPERATING TEMPERATURE -35°C TO +70°C.**

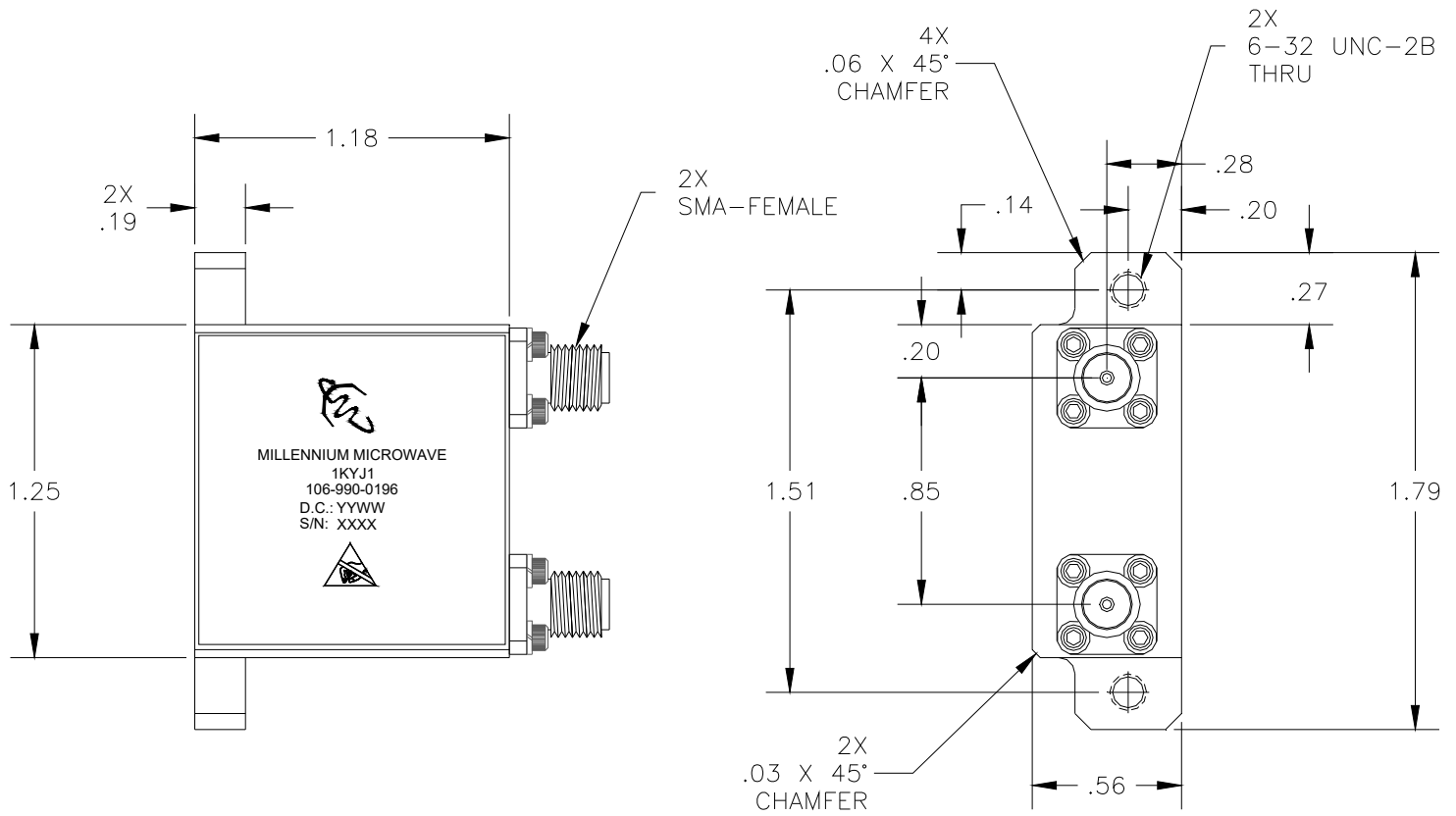


**MILLENNIUM  
MICROWAVE  
CORPORATION**

MILLENNIUM MICROWAVE CORPORATION  
30733 PARK DRIVE, PRINCESS ANNE, MD 21853  
PHONE: 410-742-8858  
FAX: 410-548-7860  
[www.microwave2000.com](http://www.microwave2000.com)

106-990-0196

Outline Drawing:



**MILLENNIUM  
MICROWAVE  
CORPORATION**

MILLENNIUM MICROWAVE CORPORATION  
30733 PARK DRIVE, PRINCESS ANNE, MD 21853  
PHONE: 410-742-8858  
FAX: 410-548-7860  
[www.microwave2000.com](http://www.microwave2000.com)